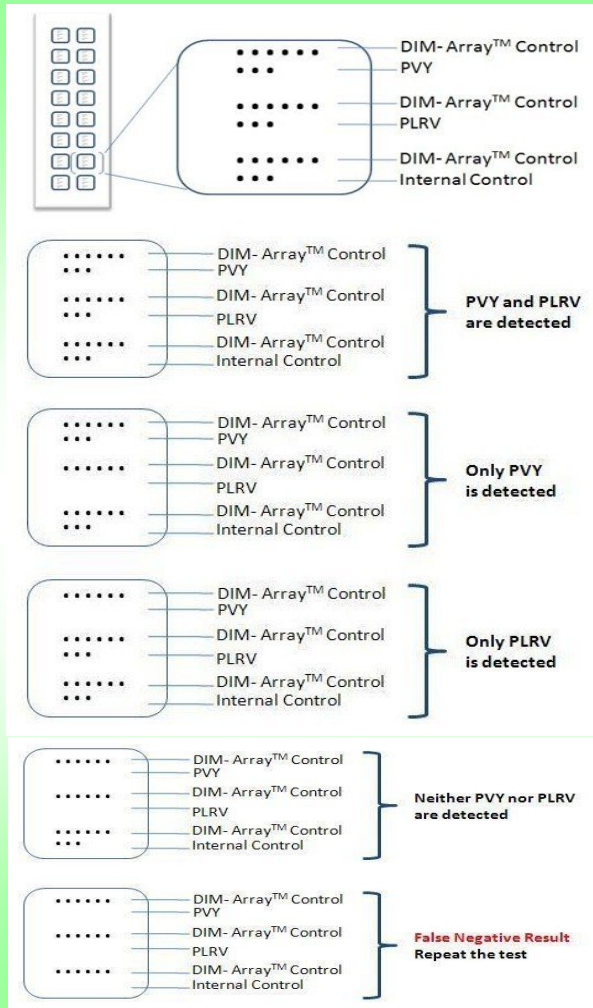


Microarray Kit

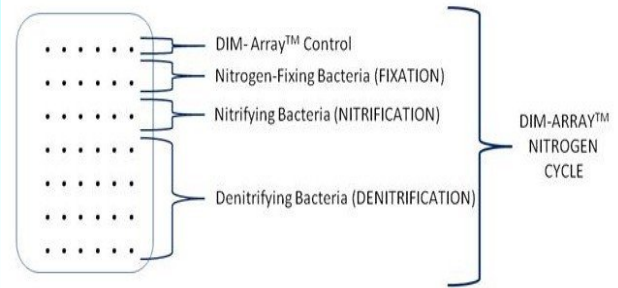
Micro system allows the simultaneous detection of several viruses. It allows for greater timeliness and efficiency in receiving results, while significantly reducing cost per sample. In addition, only a PCR Thermal Cycler is necessary to perform the test.

DIM-Array™ PVY PLRV System

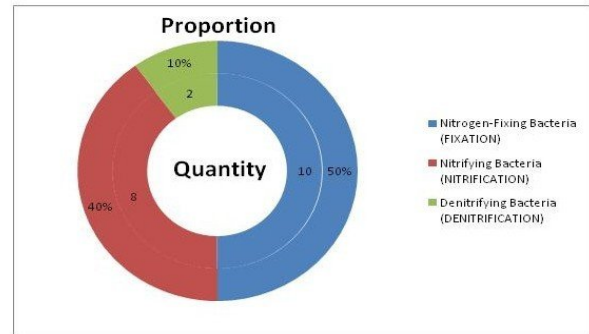
State-of-the-art DNA-based system designed for a simultaneous detection of PVY (including strains PVYO, PVYN, and PVYNTN), PLRV and Internal Control from potato samples. Asymptomatic and Symptomatic samples including Core, Leaf, Sprout, Plantlet, Stem section, and Tuber samples can be tested within 8 hours. Composite (group) of samples can be tested in a single test. In addition, only a PCR Thermal Cycler is necessary to perform the test.



DIM-Array™ Nitrogen Cycle



Result of quantification analysis (example):



State-of-the-art Multiplex Hybridization System designed for measuring the effect of agricultural management practices, fertilizer treatments and environmental factors on the quantity and proportion of bacteria involved in key processes of the nitrogen cycle (nitrogen fixation, nitrification, and denitrification) in the rhizosphere.



Please contact us for detail information on availability this new product:

E-mail: infor@acdiainc.com

Tel.: 479-595-0320

Fax: 479-251-1791

